

M247

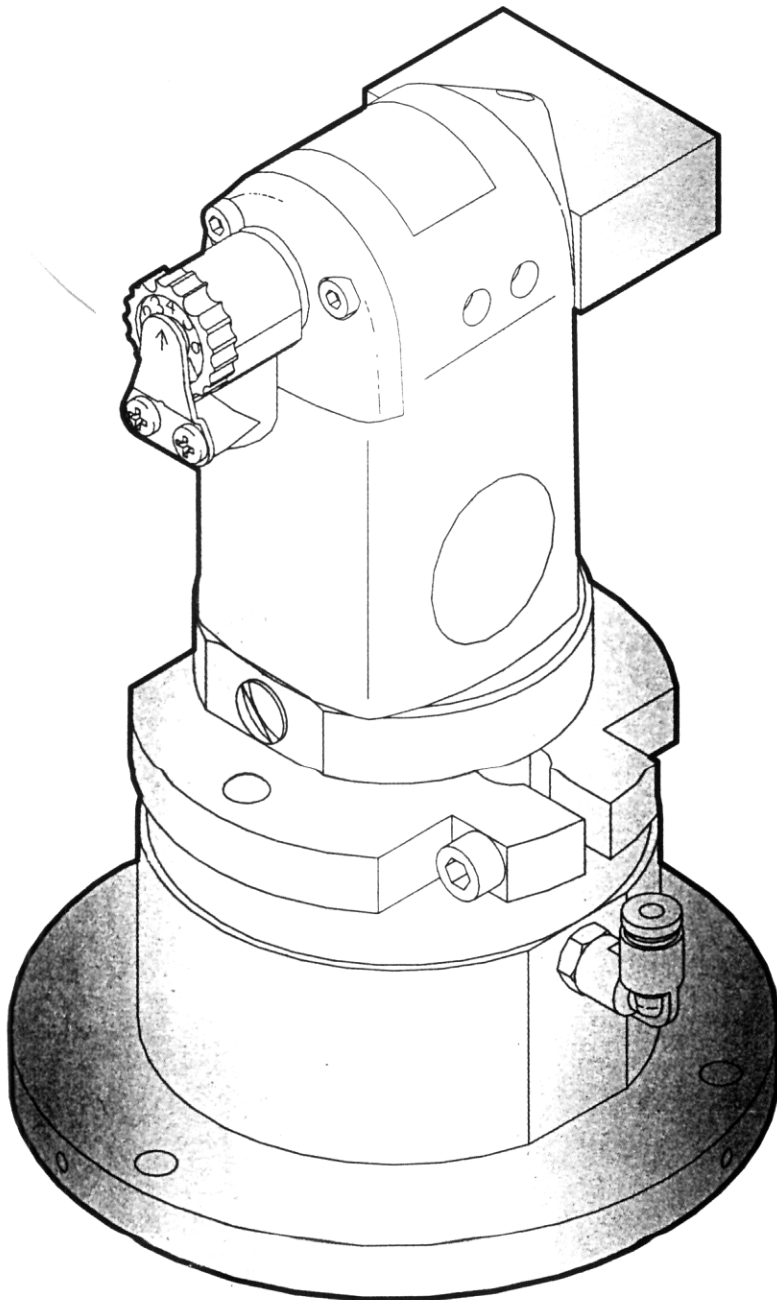
17/9/02

MZ ---

ALIGN[®]

**AIR POWER DRAWBAR
OPERATION MANUAL**

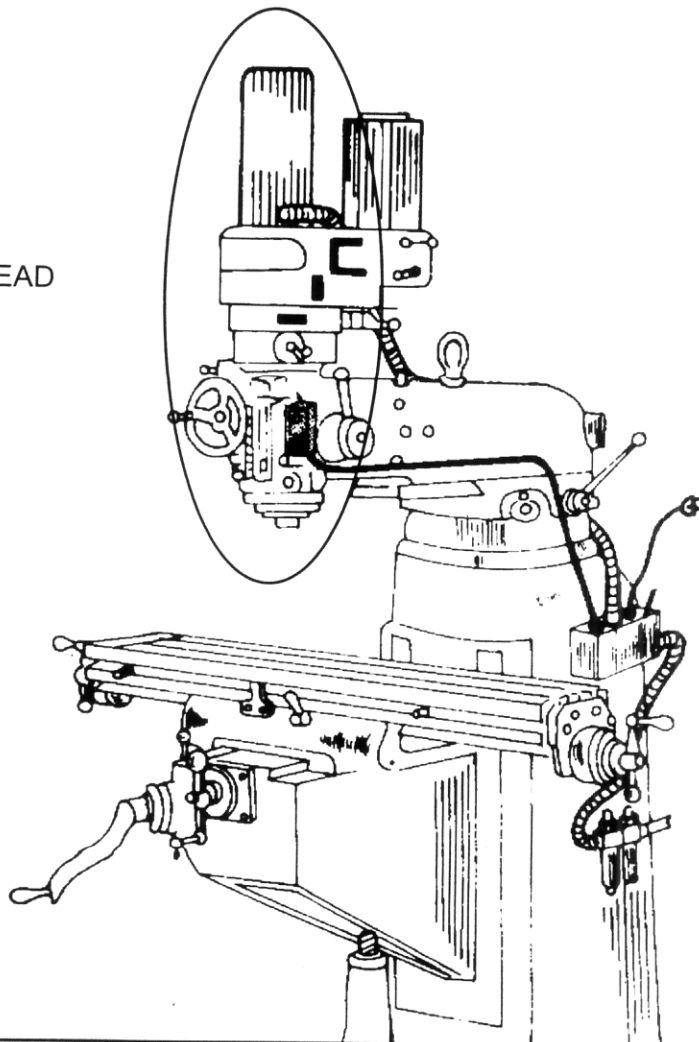
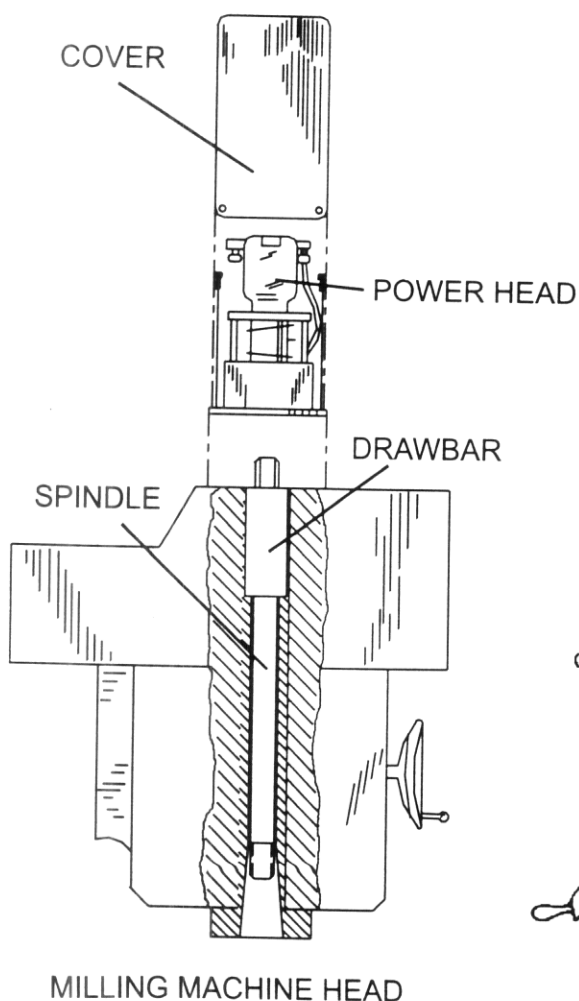
PD-150/PD-200



PAGE	INDEX
2	SPECIFICATION
2	WARNING
3	HOW TO INSTALL THE POWER DRAWBAR & ACCESSORY
4	SCHEMATIC DIAGRAM OF PARTS
5	SCHEMATIC DIAGRAM OF ACCESSORY
6	PARTS LIST
7,8	PARTS LIST FOR ACCESSORY

CONGRATULATIONS ON YOUR NEW PURCHASE OF OUR AIR POWER DRAWBAR

Please read this manual carefully before installation and using it. It will also help you to solve some easy problems by yourselves. Hope our product will bring you more effective and joyful working.

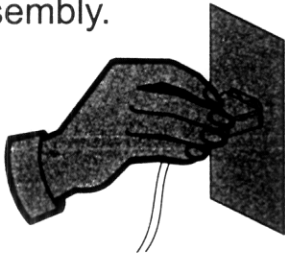


SPECIFICATION

MODEL	PD-150	PD-200
R.P.M.	3000	3000
TORQUE	135 ft-lb	225 ft-lb
AIR PRESSURE	90 psi / 6.3 kg-cm	90 psi / 6.3 kg-cm
VOLTAGE	110V 60Hz / 220V 50Hz	110V 60Hz / 220V 50Hz

WARNING

Please make sure if power supply be turned off before assembly, and avoid from accident caused during procedure of assembly.



Please don't disassemble for fixing or refitment and free from accident or break down caused by unhealth assembly.



Please take apart the drill and remove worked item before assembly.



Please make sure input voltage for power drawbar as A.C.110/220/24V and avoid wrong power then burn down circuit board, except A.C.110/220/24V, please adopt the transformer.



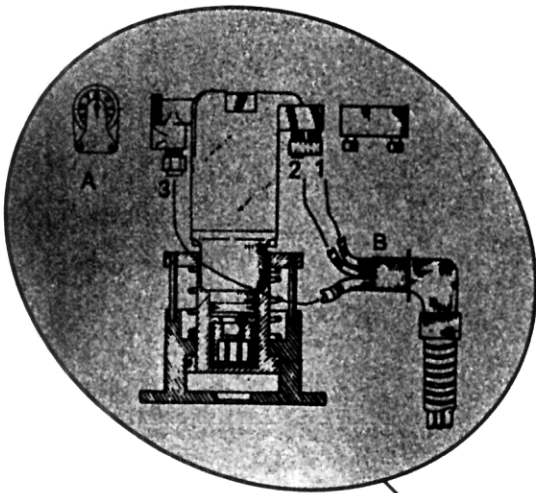
Please adjust suitable length of cord and watch out the wiring, never pressure power cord by clog then ambroin broken cause short or spark.



Please don't set the power feed in excessive wettish working zone and don't wash down the power feed by water or water shipped then cause short or spark.



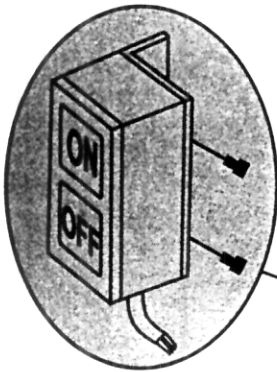
HOW TO INSTALL THE POWER DRAWBAR & ACCESSORY



AIR IMPACT WRENCH

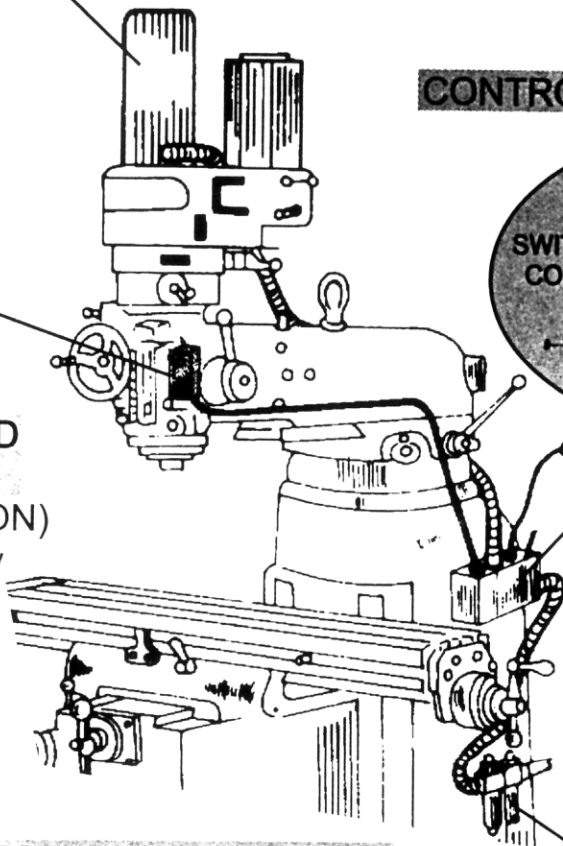
There is a trottle button (position A) installed on the power head. The air pressure could be adjusted from 1 to 8 graduation according to user's need.

There 3 hoses inside air pipe (position B) and have been marked seprately 1, 2, 3 on each of them. Plese insert them into rapid joint which has the same number.

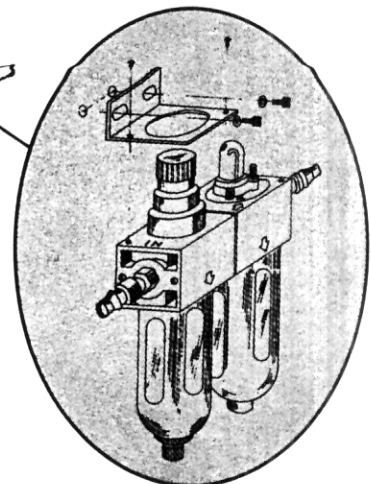
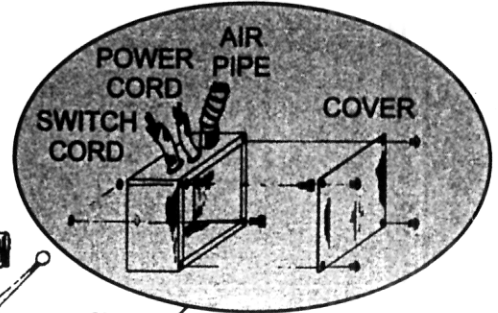


HAND CONTROLLED SWITCH

1. Push tight switch (ON) until tool is securely tightenned.
2. Push looses witch (OFF) to disengage tool.

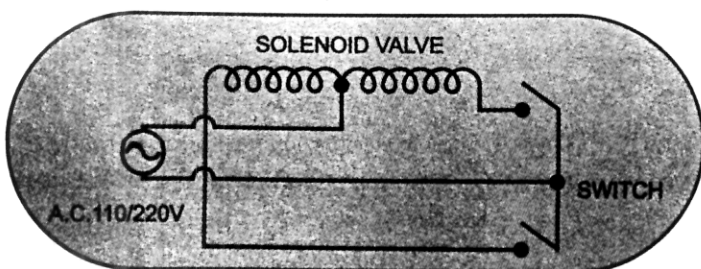


CONTROL BOX OF SOLENOID



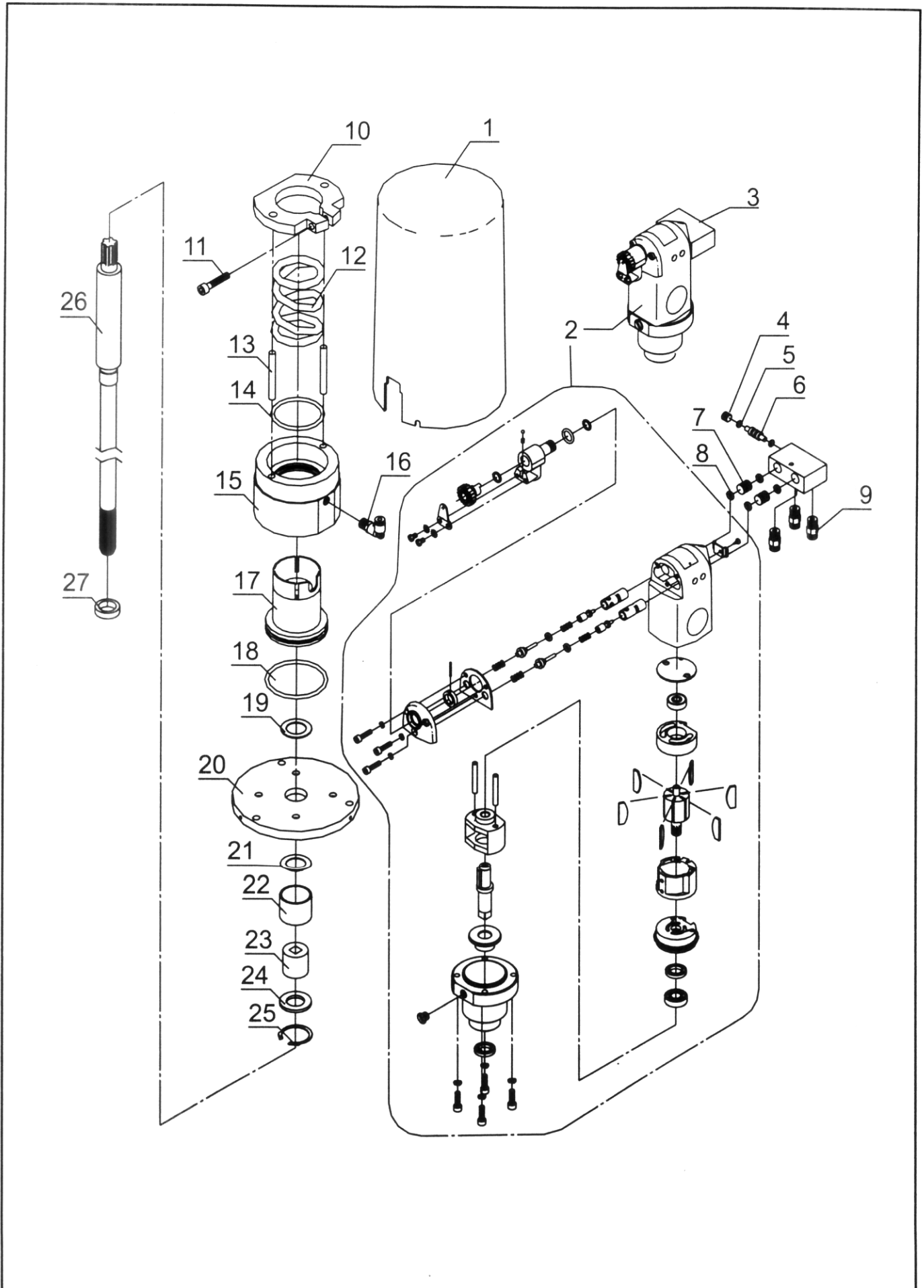
CIRCUIT DIAGRAM FOR SOLENOID VALVE

This air power drawbar is designed with safety device controlled with solenoid. The power drawbar cannot be operated while machine is running. Ensure the main machine power OFF before operation.

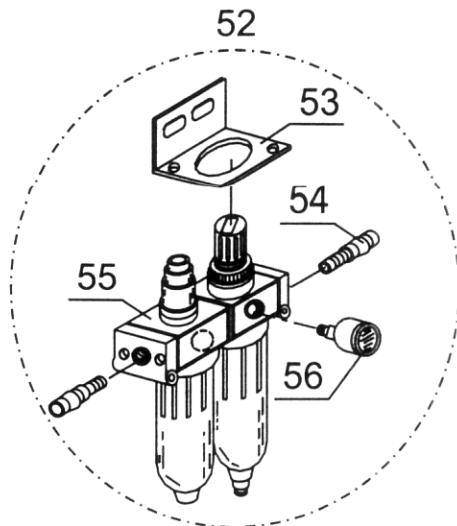
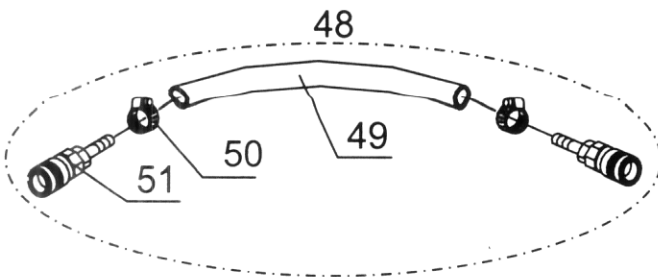
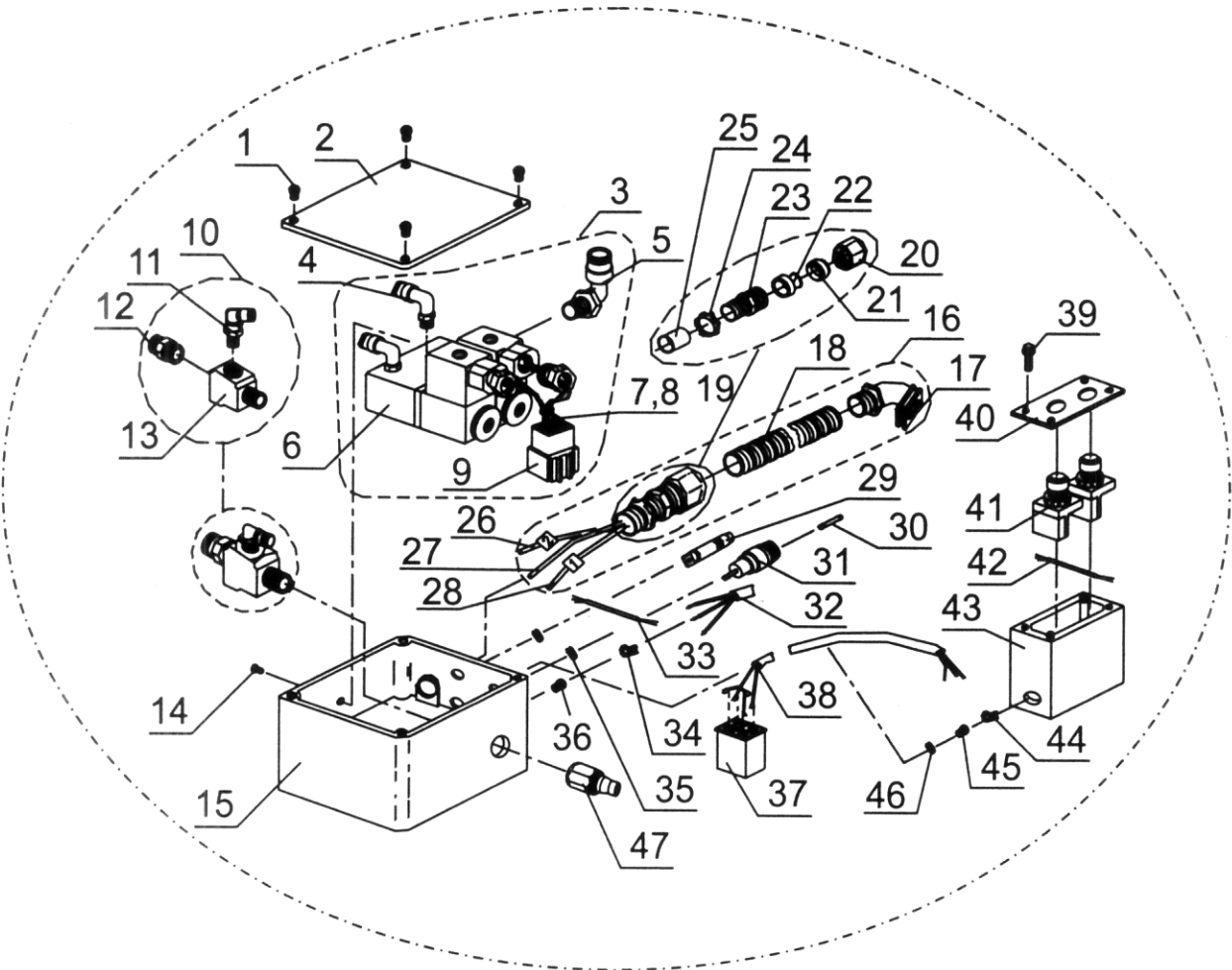


Combination of three-point (Regulator/Filter/Lubricator)

SCHEMATIC DIAGRAM OF PARTS



SCHEMATIC DIAGRAM OF ACCESSORY



- 57
- 58
- 59
- 60
- 61
- 62

PARTS LIST

NO.	PART NAME	PART NO.	SPECIFICATION	REMARK
1	COVER	P02001		
2	AIR IMPACT WRENCH	P02902		FOR PD-150
	AIR IMPACT WRENCH	P02912		FOR PD-200
3	CONTROL VALVE	P02013		
4	SCREW	T71010	M 10x 10	
5	O-RING	Q00050	P 5	
6	AIR INLET VALVE-A	P02014		
7	AIR INLET VALVE-B	P02015		
8	O-RING	Q00070	P 7	
9	RAPID JOINT	A10002	ϕ 4	
10	SET RING	P02028		
11	SCREW	T56030	M 6x 55	
12	SPRING	X00053		
13	GUIDE BAR	U46055	ϕ 6x 55	
14	O-RING	Q00480	P 48	
15	AIR CYLINDER HOLDER	P02030		
16	RAPID JOINT	A20001	ϕ 4	
17	PISTON	P02031		
18	O-RING	Q00570	P 57	
19	INNER RING	P02035		
20	BOTTOM COVER	P02034		
21	WASHER	W12030	ϕ 20x ϕ 30	
22	PLASTIC BUSHING	P02032		
23	CLUTCH	P02033		
24	WASHER	W12030	ϕ 20x ϕ 30	
25	CRESCENT RING	F00032	IRTW-32	
26	DRAW BAR	P02037		
27	WASHER	P02038		

PARTS LIST FOR ACCESSORY

NO.	PART NAME	PART NO.	SPECIFICATION	REMARK
1	SCREW	T14006	M4x 6	
2	CONTROL BOX COVER	P02039		
3	SOLENOID VALVE SET	PDC6		
4	RAPIR JOINT	A20001	SPL-4-01	
5	RAPIR JOINT	A20002	SPL-6-01	
6	SOLENOID VALVE	PDC3-1		
7	WIRE	E11102	18 AWG	
8	WIRE	E11103	18 AWG	
9	CIRCUIT CONNECTOR	E60004		
10	T-WAY WITH RAPID JOINT	PDC9-11		
11	RAPIR JOINT	A20003	SPL-6-02	
12	RAPIR JOINT	A10003	SPL-8-02	
13	T-WAY JOINT	P02051		
14	SCREW	T14006	M4x 6	
15	CONTROL BOX HOUSING	P02040		
16	AIR PIPE ASSY	PDC1415		
17	JOINT	E60006		
18	AIR PIPE	A00001	3/8"x 2.5M	
19	JOINT ASSY	P02908		
20	NUT	P02043		
21	CAP	P02041		
22	JOINT	P02042		
23	NUT	P02044		
24	NUT	P02045		
25	CAP	P02041		
26	PU TUBE	P02048	φ 4x φ 2.5x 2.5M	
27	PU TUBE	P02049	φ 5x φ 8x 2.5M	
27	PU TUBE	P02050	φ 6x φ 8x 2.5M	
29	LIGHT	P02056		
30	FUSE	E50051	4 A	
31	FUSE HODER	E50901		
32	POWER CORD	E23012	3Cx 0.75x 2M	
33	WIRE	E10016	18 AWG	
34	WIRE HODER	A0100-08A	UC-1	
35	WIRE CLAMP	P02057		

PARTS LIST FOR ACCESSORY

NO.	PART NAME	PART NO.	SPECIFICATION	REMARK
36	SCREW	T14006	M4x 6	
37	WIRE CONNECTOR	E60005		
38	CONTROL CORD	E24001	4Cx 0.75x 2.5M	
39	SCREW	T14006	M4x 6	
40	SWITCH BOX COVER	D20001		
41	BUTTON SWITCH-ON	E32001		
42	BUTTON SWITCH-OFF	E32002		
43	SWITCH BOX	P02058		
44	WIRE HOLDER	A0100-08A		
45	SCREW	T15006	M5x 6	
46	WIRE CLAMP	P02057		
47	RAPID JOINT	A10004	PF 20	
48	HOSE & JOINT ASSY	PDF345		
49	HOSE	A00002		
50	HOSE CLAMP	P02060		
51	RAPID JOINT	A10005	SH-20	
52	FILTER ASSY	PDF		
53	FILTER HOLDER	P02062		
54	RAPID JOINT	P02063	PM 20	
55	FILTER	P02061	AFC-2000	
56	PRESSURE GAUGE	P02064		
57	SCREW	T56020	M6x20	
58	SCREW	T56030	M6x 30	
59	SCREW	T15010	M5x 10	
60	SCREW	T14008	M4x 8	
61	WASHER	W10050	φ5	
62	SPRING WASHER	W20050	φ5	